

HBP/HBPS series – 4" horizontal booster pumps

The HBP/HBPS Series Booster Pumps are the most durable booster pumps available. The proven SignaSeal™ floating impeller design minimizes thrust loads, allowing for continuous operation without damage to motor bearings, mechanical seal or pump hydraulic components.

NEW!



application

- Filtration and reverse osmosis
- Residential, commercial or agricultural pressure washing
- Booster and spray systems
- HVAC
- General purpose pumping
- Car wash

specifications

- Max. Inlet Pressure** – 80 PSI
- Max. Working Pressure** – 315 PSI
- Max. Suction Lift** – 15 feet
- Maximum Limits** – Prolonged use with liquids above 140 ° F is not recommended.
- Discharge** – HBP Series: cast iron
HBPS Series: stainless steel
- Motor Adapter and Base** –
HBP Series: cast iron
HBPS Series: stainless steel
- Shell** – Stainless steel 304 grade
- Impeller** – Acetal
- Diffuser** – Polycarbonate
- Shaft** – Stainless steel 304 grade
- O-Rings** – Buna-N
- Mechanical Seal** – Carbon/ceramic,
Buna-N

- ▶ **Proven Staging System** – The proven SignaSeal™ staging system utilizes a proven ceramic wear surface that, when incorporated with Aermotor’s “true” independent floating impellers, dominates with 1st-in-class performance, superior sand handling and thrust management staging system
- ▶ **Acetal Impellers** – Precision-molded for perfect balance... ultra-smooth for highest performance and efficiency

- ▶ **Precision Molded Diffusers** – Superior performance with high resistance to corrosion and abrasion
- ▶ **Mechanical Shaft Seal** – Precision lapped and highly polished carbon-ceramic, stainless steel construction. Internal design guarantees continuous water lubrication.
- ▶ **Motor Windings** – Superior insulation materials protect against excessive moisture and contaminants... assure prolonged motor life
- ▶ **Balanced Rotor** – Die cast under high pressures for uniform performance and greater efficiency; dynamically balanced

- ▶ **Heavy-duty Ball Bearings** – Shielded, permanently lubricated bearings, extensively tested to ensure extended life and smooth, quiet operation
- ▶ **Pump and Motor Shaft** – Stainless steel for maximum corrosion resistance; one-piece threaded shaft for positive impeller drive
- ▶ **Dustproof Cover** – All electrical components are protected from dirt, dust and insects by a dustproof canopy; ventilating air cannot contaminate

certification



HBPS Series is UL 778 Listed for Indoor/Outdoor use.

SignaSeal™ is a trademark of WICOR Industries

HBP/HBPS series – 4" horizontal booster pumps

ordering information

GPM	Catalog Number		HP	Phase	Stages	Pipe Tapping Sizes		Motor Voltage	Approx. Wt. (lbs.)
	Cast Iron	Stainless Steel				Inlet	Outlet		
7	7HBP50	7HBPS50	1/2	1	9	3/4"	3/4"	115/230	48
	7HBP75	7HBPS75	3/4	1	12	3/4"	3/4"	115/230	48
	7HBP100	7HBPS100	1	1	16	3/4"	3/4"	115/230	51
10	10HBP50	10HBPS50	1/2	1	6	3/4"	3/4"	115/230	45
	10HBP75	10HBPS75	3/4	1	8	3/4"	3/4"	115/230	46
	10HBP100	10HBPS100	1	1	10	3/4"	3/4"	115/230	50
	10HBP150	10HBPS150	1-1/2	1	14	3/4"	3/4"	115/230*	58
	10HBP200	10HBPS200	2	1	16	3/4"	3/4"	115/230*	63
20	20HBP100	20HBPS100	1	1	7	1"	1"	115/230	49
	20HBP150	20HBPS150	1-1/2	1	9	1"	1"	115/230*	57
	20HBP200	20HBPS200	2	1	11	1"	1"	115/230*	62
	20HBP300	20HBPS300	3	1	15	1"	1"	208-230	59
30	30HBP100	30HBPS100	1	1	5	1-1/4"	1-1/4"	115/230	47
	30HBP150	30HBPS150	1-1/2	1	6	1-1/4"	1-1/4"	115/230*	54
	30HBP200	30HBPS200	2	1	7	1-1/4"	1-1/4"	115/230*	57
	30HBP300	30HBPS300	3	1	11	1-1/4"	1-1/4"	208-230	59

Note: ODP motor is standard, for TEFC motors, contact Customer Service.

*HBPS models 230V only.

ordering information – accessories*

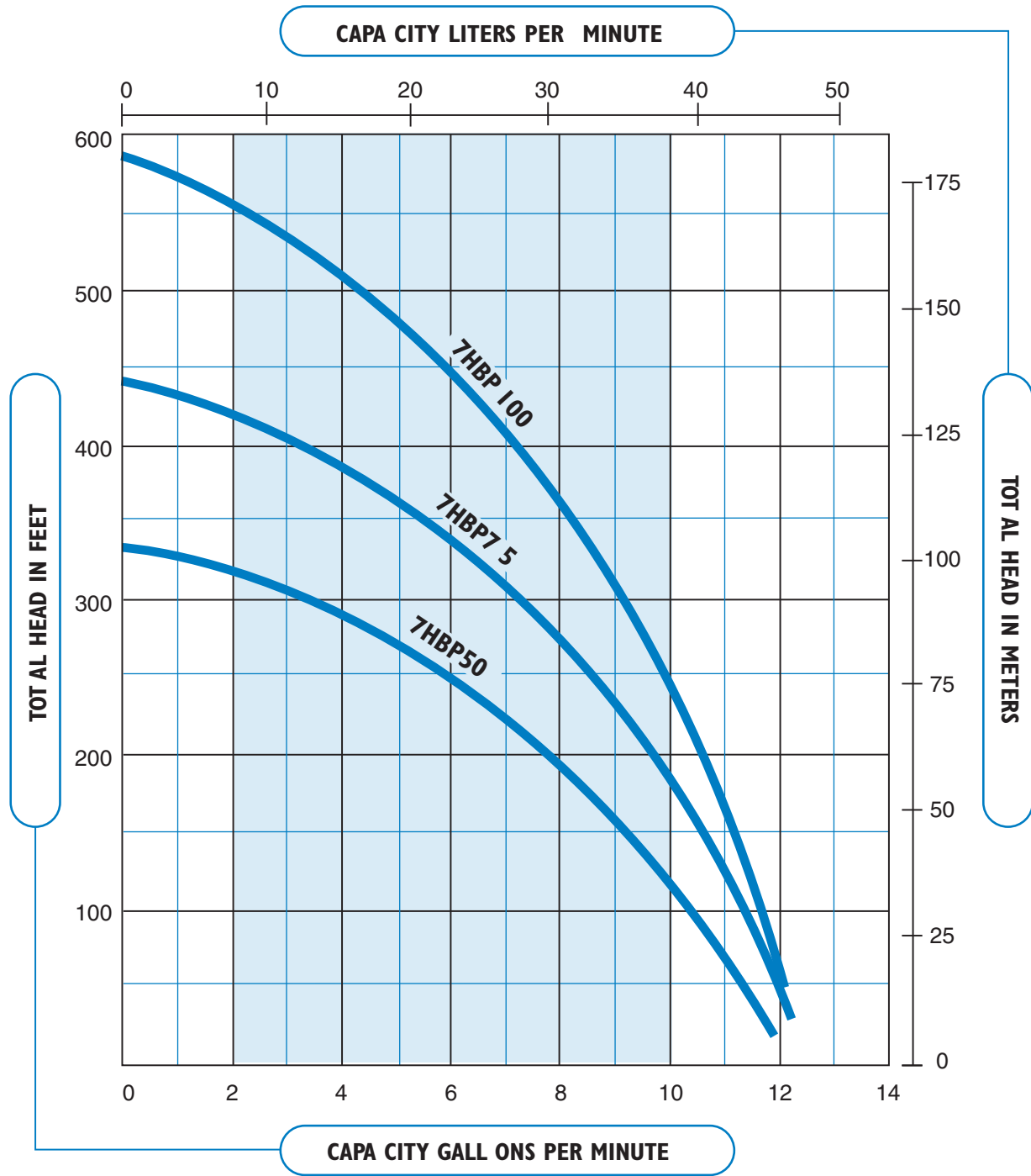
Pkg. No.	Description	Approx. Wt. Lbs.
SUCTION		
83	Suction hose – 3/4" 150 PSI hose, 6 ft. section with two (2) female hose fittings	3
85	Two (2) garden hose/NPT adapters – 3/4" NPT male to 3/4" garden hose male	3
96	Vacuum relief valve – 1/2" NPT	2
150 PSI RATED* DISCHARGE		
84	Discharge hose – 3/4" 150 PSI hose, 25 ft. section with male and female garden hose fittings	10
86	High pressure pistol grip nozzle with three (3) nozzles (No. 56, 50 and 49)	2
315 PSI RATED* DISCHARGE		
162	25' of 1" ID hose with 3/4" male and female hose fittings 315 PSI rating	15
194	High pressure pistol grip nozzle with three (3) nozzles (No. 56, 50 and 49) rated for 500 PSI	2

*To select proper discharge accessories for your pump, add incoming pressure to pump output pressure, to determine total discharge pressure.

Example: Incoming pressure 20 PSI + pump output pressure (7HBP50 at 0 GPM, 300') 87 PSI = Total 150 PSI at discharge = 150 PSI rated discharge accessories

HBP/HBPS series – 4" horizontal booster pumps

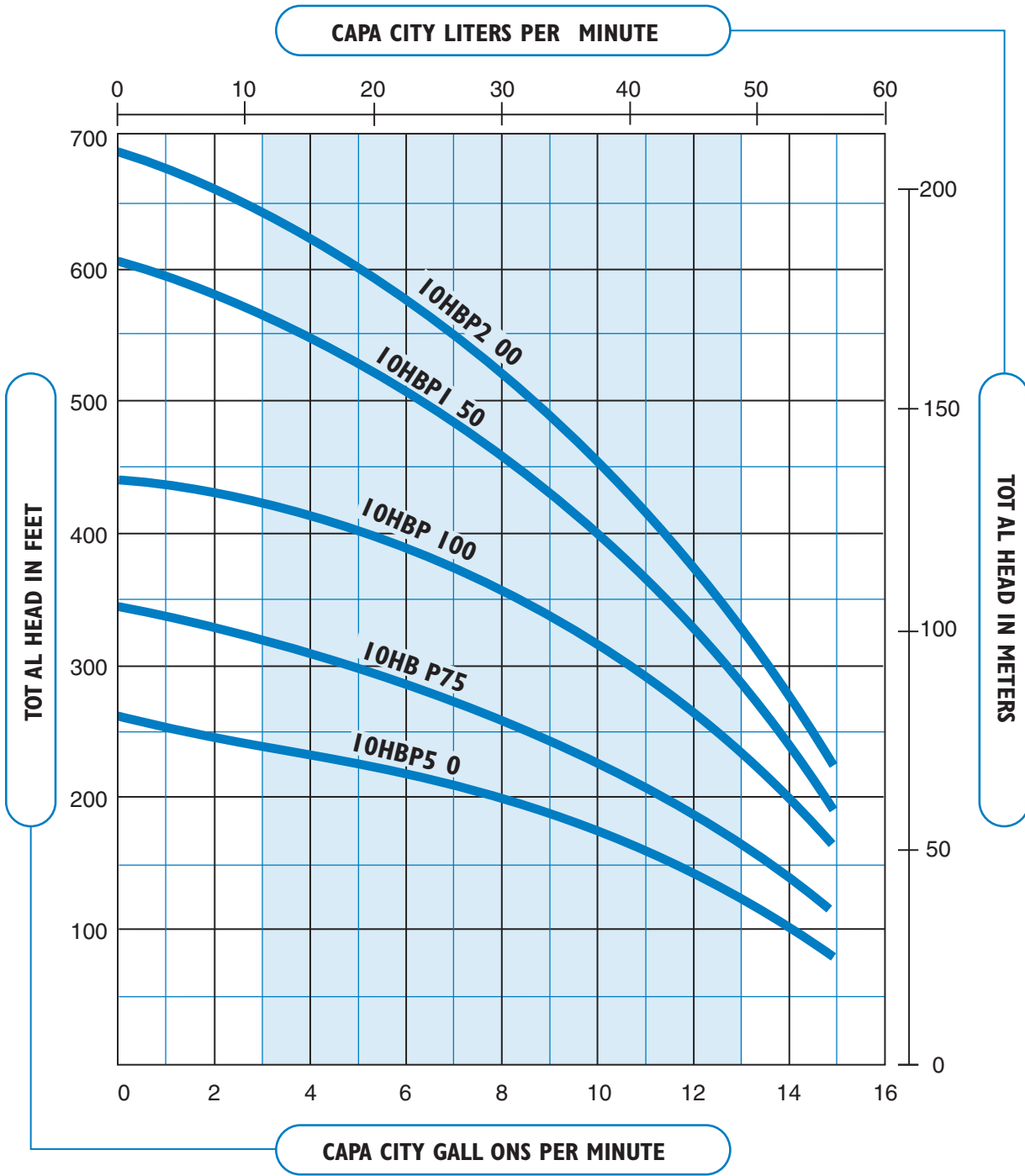
7 GPM pump performance



SHADED AREAS INDICATE MOST ECONOMICAL RANGE

HBP/HBPS series – 4" horizontal booster pumps

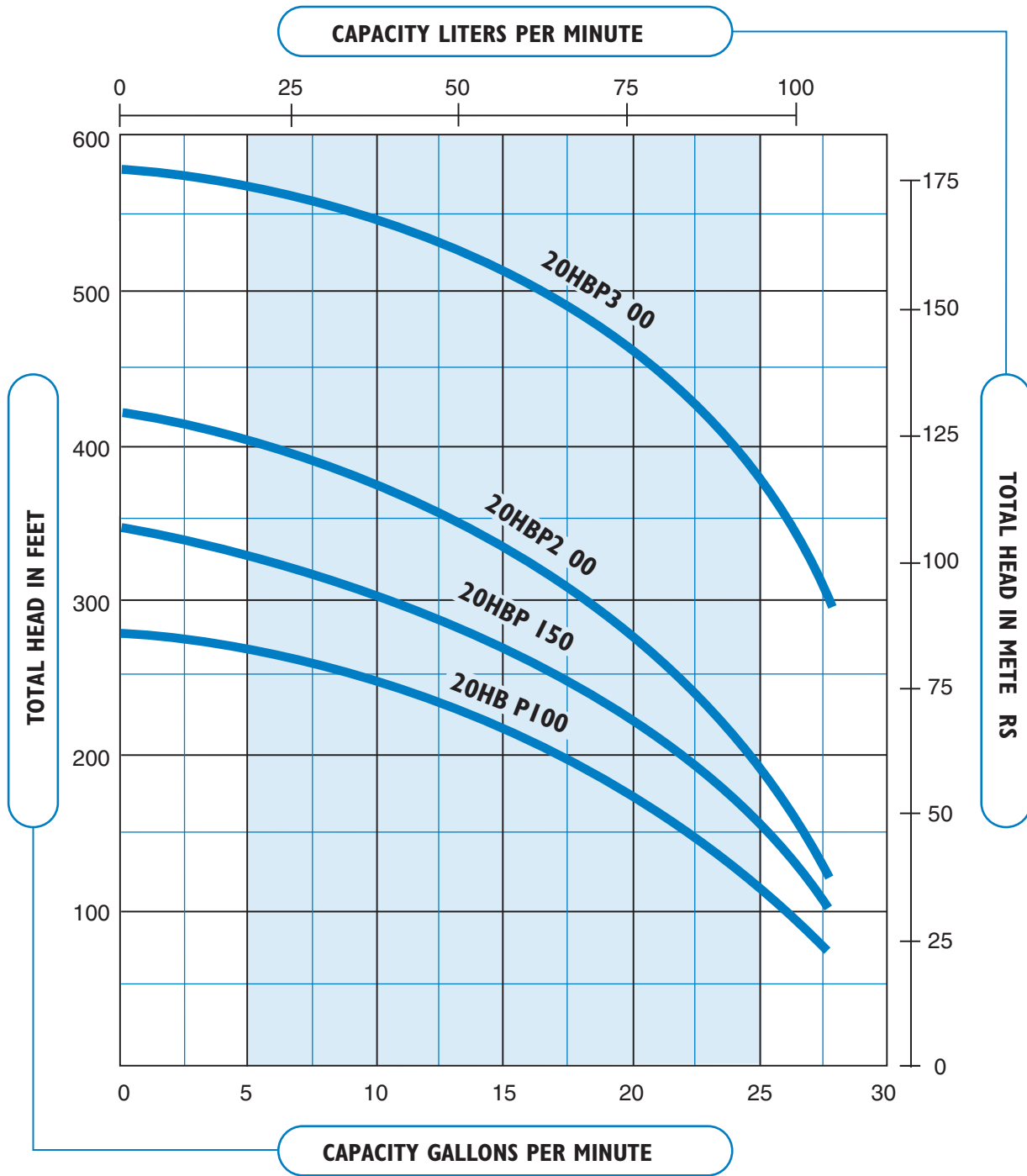
10 GPM pump performance



SHADED AREAS INDICATE MOST ECONOMICAL RANGE

HBP/HBPS series – 4" horizontal booster pumps

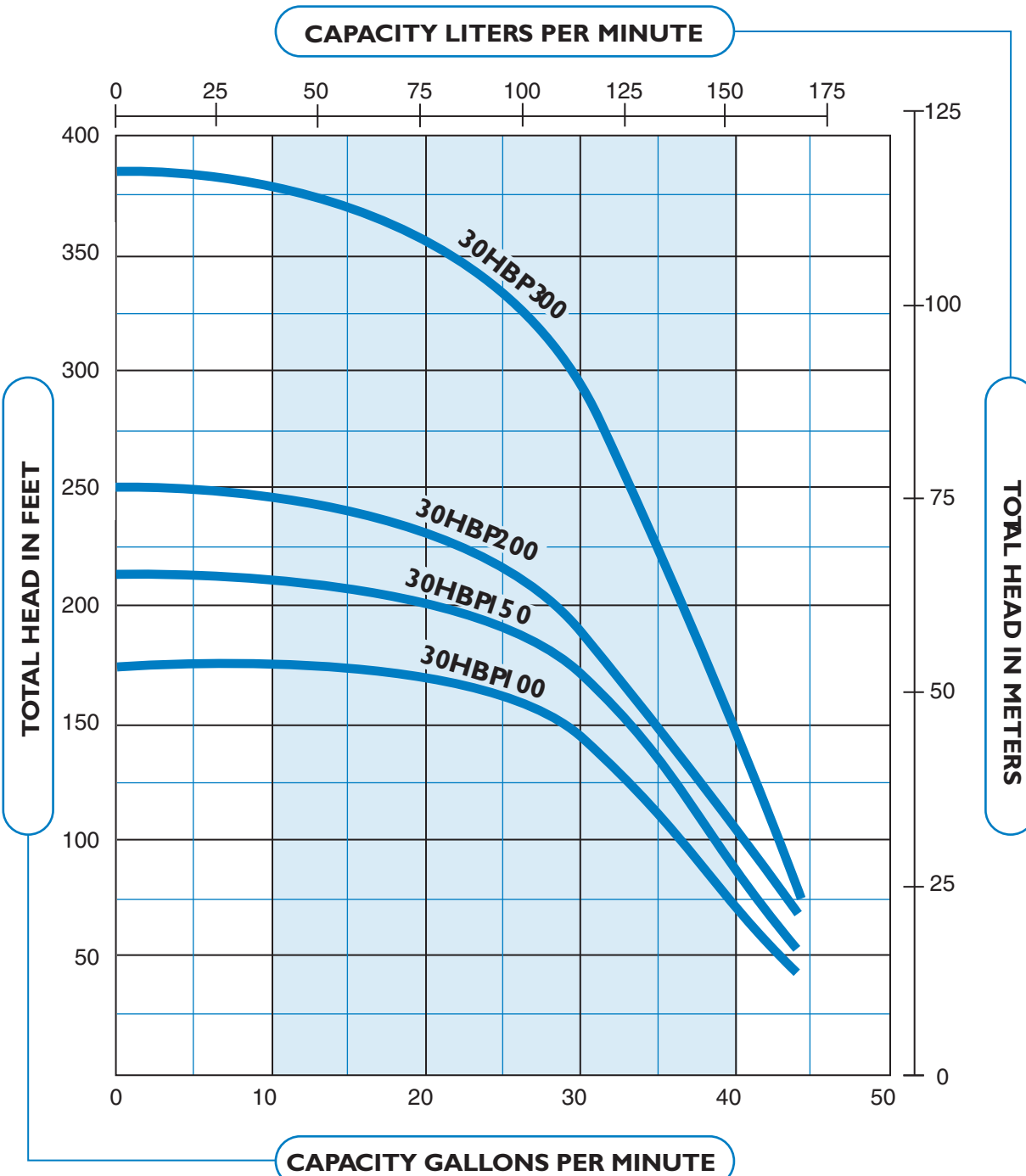
20 GPM pump performance



SHADED AREAS INDICATE MOST ECONOMICAL RANGE

HBP/HBPS series – 4" horizontal booster pumps

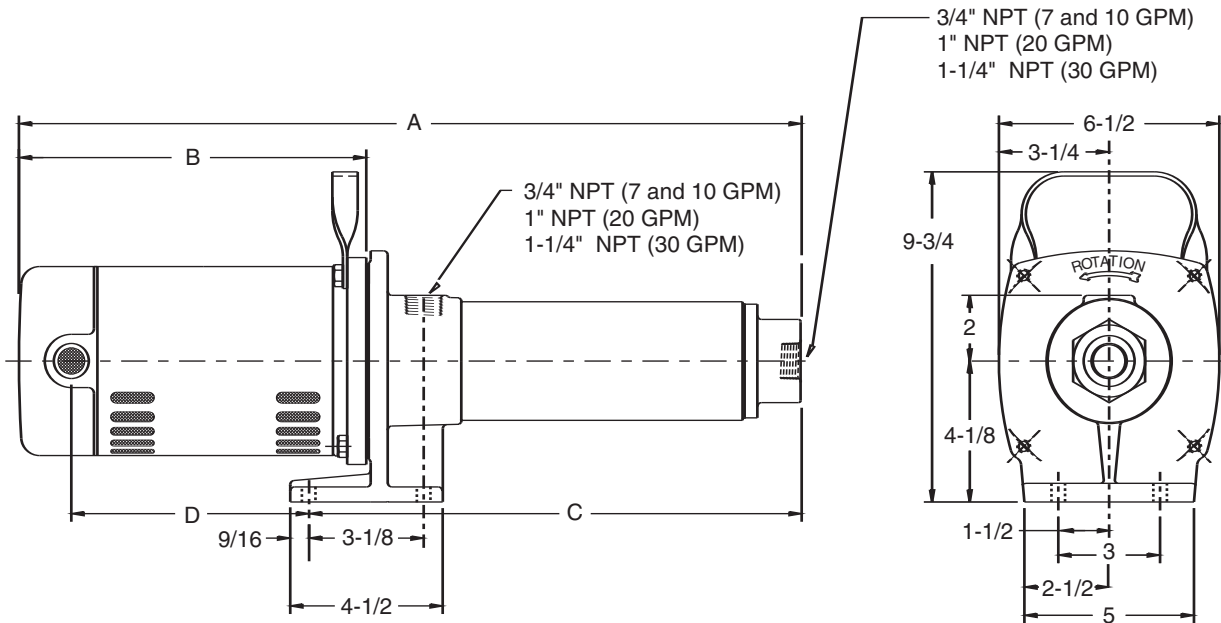
30 GPM pump performance



SHADED AREAS INDICATE MOST ECONOMICAL RANGE

HBP/HBPS series – 4" horizontal booster pumps

outline dimensions



Dimensions (in inches) are for estimating purposes only.

dimensional data

Catalog Number	HP	A	B	C	D
CAST IRON					
7HBP50	1/2	24.28	10.38	15.76	6.68
7HBP75	3/4	27.41	10.88	18.39	7.69
7HBP100	1	31.91	11.88	21.89	8.69
10HBP50	1/2	22.87	11.60	13.13	8.44
10HBP75	3/4	24.99	11.97	14.88	8.81
10HBP100	1	27.80	13.03	16.63	9.87
10HBP150	1-1/2	31.18	13.78	19.26	10.31
10HBP200	2	36.44	13.78	24.52	10.62
20HBP100	1	26.85	13.03	15.68	9.87
20HBP150	1-1/2	29.83	13.78	17.91	10.31
20HBP200	2	32.06	13.78	20.14	10.62
20HBP300	3	36.80	14.05	24.47	11.12
30HBP100	1	25.08	11.88	14.92	8.69
30HBP150	1-1/2	27.26	12.63	16.35	9.44
30HBP200	2	28.49	12.42	17.79	9.47
30HBP300	3	35.86	14.05	23.53	11.12

Catalog Number	HP	A	B	C	D
STAINLESS STEEL					
7HBPS50	1/2	25.39	11.60	15.65	8.44
7HBPS75	3/4	28.36	11.97	18.25	8.81
7HBPS100	1	31.89	11.97	21.78	8.81
10HBPS50	1/2	22.76	11.60	13.02	8.44
10HBPS75	3/4	24.88	11.97	14.77	8.81
10HBPS100	1	27.69	13.03	16.52	9.87
10HBPS150	1-1/2	31.95	13.78	20.05	10.31
10HBPS200	2	33.70	13.78	21.78	10.62
20HBPS100	1	26.74	13.03	15.57	9.87
20HBPS150	1-1/2	29.72	13.78	17.80	10.31
20HBPS200	2	31.95	13.78	20.05	10.62
20HBPS300	3	36.80	14.05	24.47	11.12
30HBPS100	1	26.23	13.03	14.92	9.87
30HBPS150	1-1/2	28.10	13.47	16.35	10.31
30HBPS200	2	29.85	13.78	17.79	10.62
30HBPS300	3	35.86	14.05	23.53	11.12

HBP/HBPS series – 4" horizontal booster pumps