

CT35/CT45 series – general purpose centrifugal pumps

The CT Series Pumps have a heavy-duty cast iron construction and are offered in high and medium head models, with Noryl® impeller.



application

Water systems and sprinkling... for homes, farms and industry.

specifications

Body and Seal Plate – Close-grained cast iron

Base – Steel 10 gauge

Impeller – Noryl®

Shaft – 416 stainless steel

Mechanical Seal – Carbon/ceramic, Buna-N

certification



CT Series is Listed to UL Standards for Safety by Underwriters Laboratories Inc. (UL).

- ▶ **1/3 through 2-1/2 HP** – High head and medium head models, with heavy-duty motors, easy service design and four-position discharge
- ▶ **Drain Port** – Provided for easy winterizing
- ▶ **Medium Head Models** – Deliver up to 110' of head with capacities to 140 GPM
- ▶ **High Head Models** – Deliver up to 140' of head with capacities to 90 GPM
- ▶ **Easy Serviceability** – All models include replaceable wear ring and feature back pull-out design
- ▶ **Noryl® Impellers** – Abrasion-resistant for normal applications with working temperatures to 140°F

ordering information – CT35 high head

Catalog Number	HP	Pipe Tapping Sizes		Motor Voltage	Phase	Max. Load Amps	Approx. Wt. Lbs.
		Suct.	Disch.				
CT35-50	1/2	1-1/4"	1"	115/230	1	8.8/4.4	39
CT35-3-50		1-1/4"	1"	208-230/460	3	2.3/1.15	39
CT35-75	3/4	1-1/4"	1"	115/230	1	12.2/6.1	42
CT35-3-75		1-1/4"	1"	208-230/460	3	3.1/1.55	42
CT35-100	1	1-1/4"	1"	115/230	1	14.8/7.4	45
CT35-3-100		1-1/4"	1"	208-230/460	3	3.6/1.8	45
CT35-150	1-1/2	1-1/4"	1"	115/230	1	19.2/9.6	49
CT35-3-150		1-1/4"	1"	208-230/460	3	4.7/2.35	49
CT35-200	2	1-1/2"	1-1/4"	230	1	12.0	69
CT35-3-200		1-1/2"	1-1/4"	208-230/460	3	6.8/3.4	69
CT35-250	2-1/2	2"	1-1/2"	230	1	12.0	74
CT35-3-250		2"	1-1/2"	208-230/460	3	8.5/4.25	74

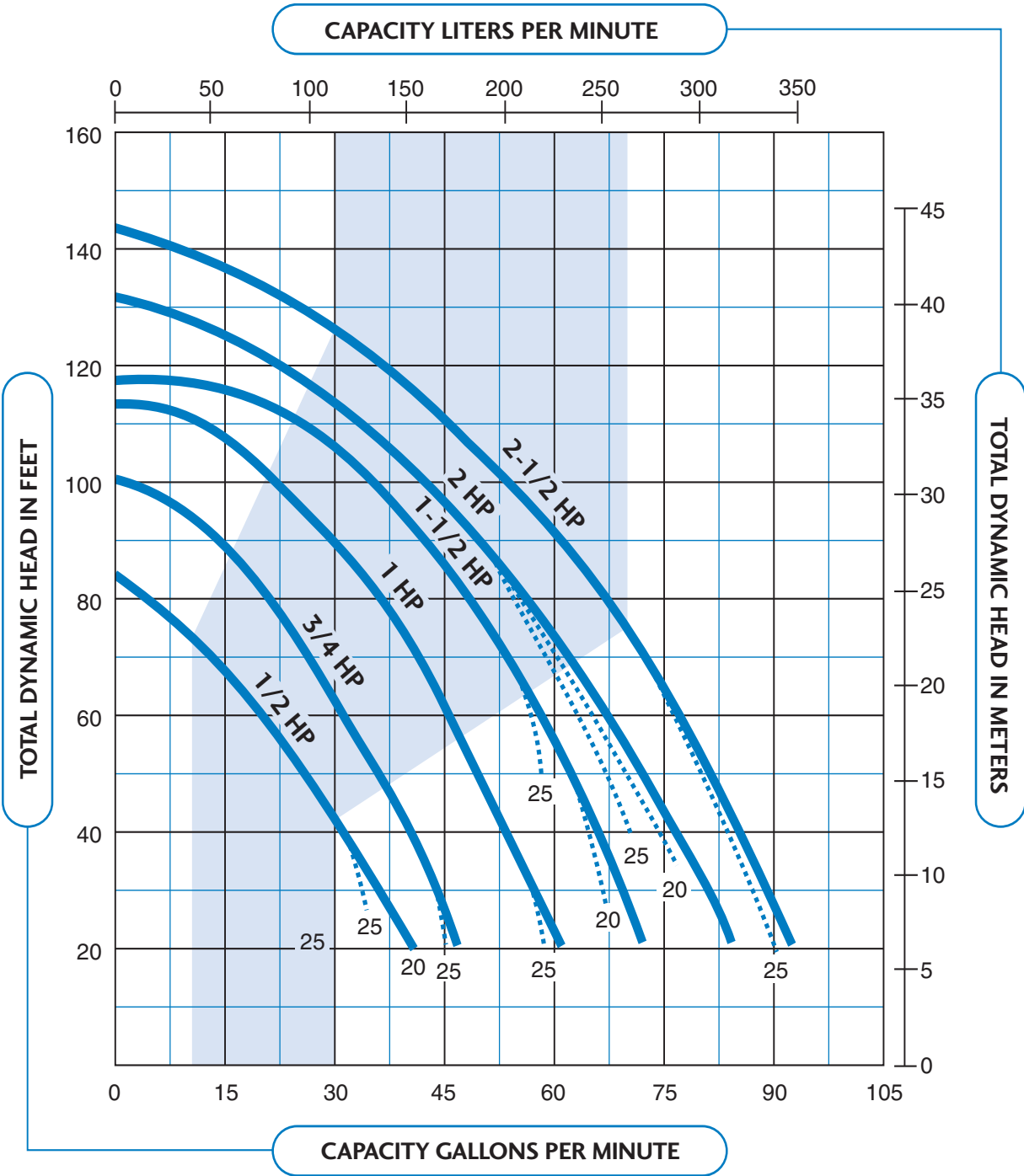
ordering information – CT45 medium head

Catalog Number	HP	Pipe Tapping Sizes		Motor Voltage	Phase	Max. Load Amps	Approx. Wt. Lbs.
		Suct.	Disch.				
CT45-33	1/3	1-1/4"	1"	115	1	9.41	38
CT45-50	1/2	1-1/4"	1"	115/230	1	8.8/4.4	39
CT45-3-50		1-1/4"	1"	208-230/460	3	2.3/1.15	39
CT45-75	3/4	1-1/4"	1"	115/230	1	12.2/6.1	42
CT45-3-75		1-1/4"	1"	208-230/460	3	3.1/1.55	42
CT45-100	1	1-1/2"	1-1/4"	115/230	1	14.8/7.4	43
CT45-3-100		1-1/2"	1-1/4"	208-230/460	3	3.6/1.8	43
CT45-150	1-1/2	1-1/2"	1-1/4"	115/230	1	19.2/9.6	54
CT45-3-150		1-1/2"	1-1/4"	208-230/460	3	4.7/2.35	54

Noryl® is a registered trademark of General Electric Co. Pro-Source™ is a trademark of WICOR Industries.

CT35/CT45 series – general purpose centrifugal pumps

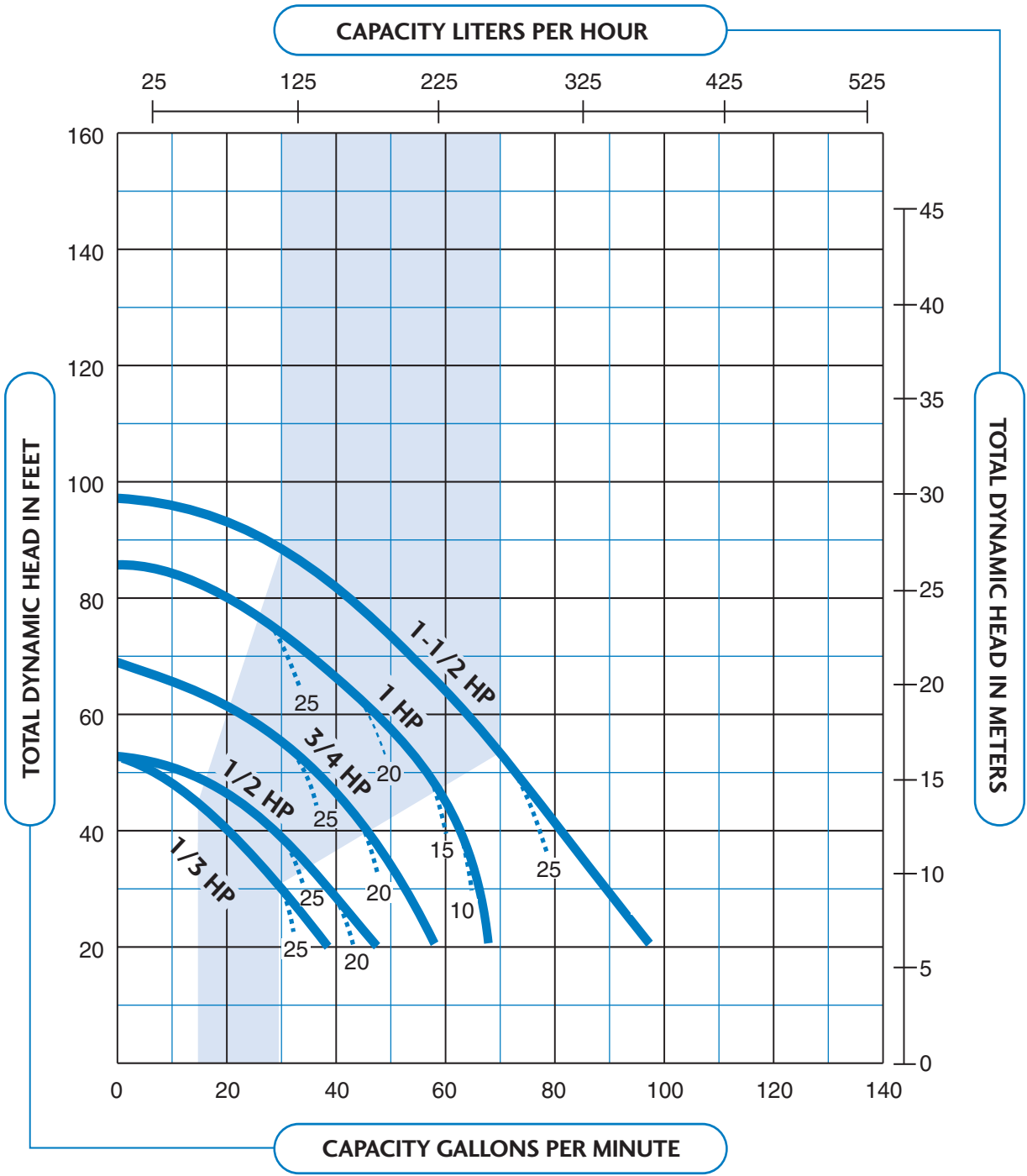
CT35 HIGH HEAD pump performance



SHADED AREAS INDICATE MOST ECONOMICAL RANGE

CT35/CT45 series – general purpose centrifugal pumps

CT45 MEDIUM HEAD pump performance



SHADED AREAS INDICATE MOST ECONOMICAL RANGE

CT35/CT45 series – general purpose centrifugal pumps

pump performance

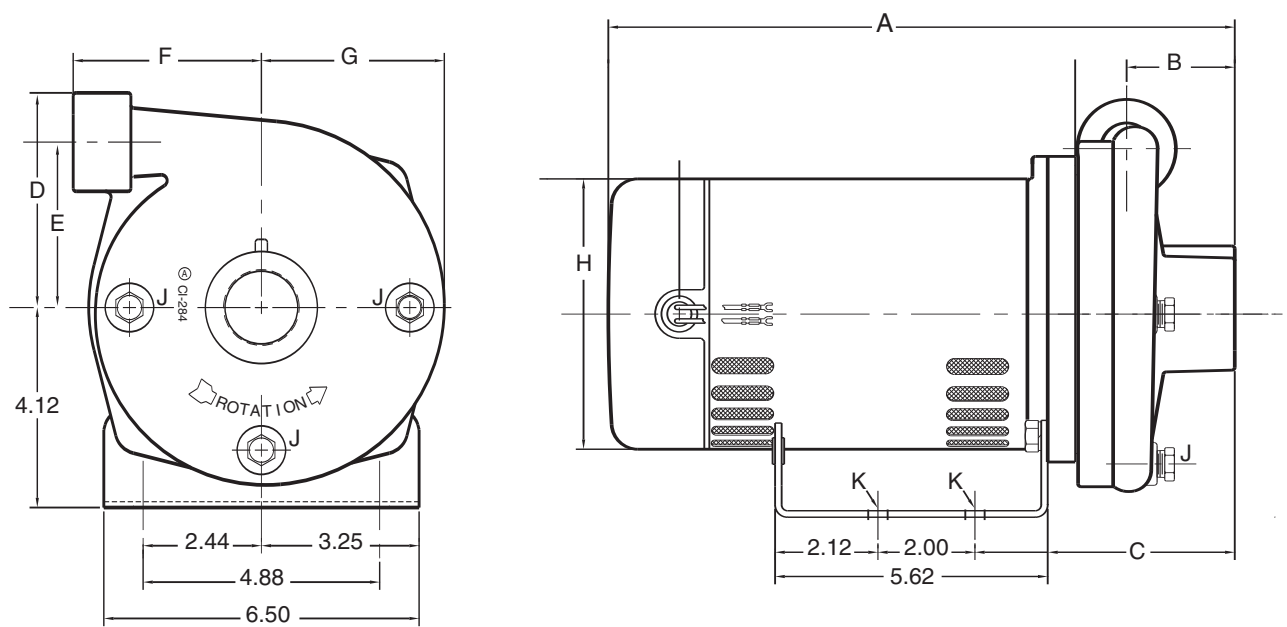
HP	Discharge Pressure		Dynamic Suction Lift				
	PSI	Feet Head	5'	10'	15'	20'	25'
CT35 – HIGH HEAD							
1/2	10	23.1	—	34	32	29	26
	20	46.2	25	21	18	15	11
	30	69.3	10	—	—	—	—
3/4	10	23.1	—	—	42	39	37
	20	46.2	35	32	30	28	26
	30	69.3	24	22	19	15	10
1	20	46.2	48	46	45	43	40
	30	69.3	38	35	31	28	25
	40	92.4	23	20	15	—	—
1-1/2	20	46.2	62	60	58	55	52
	30	69.3	50	48	44	40	37
	40	92.4	37	32	29	22	—
2	20	46.2	71	68	66	62	60
	30	69.3	60	57	52	59	45
	40	92.4	45	40	36	31	24
	50	115.5	22	15	—	—	—
2-1/2	20	46.2	81	79	76	74	71
	30	69.3	69	67	63	60	56
	40	92.4	56	51	47	44	38
	50	115.5	33	30	22	15	—
CT45 – MEDIUM HEAD							
1/3	10	23.1	32	27	18	—	—
	20	46.2	—	—	—	—	—
1/2	10	23.1	40	37	32	27	17
	20	46.2	—	—	—	—	—
3/4	10	23.1	—	50	46	42	32
	20	46.2	37	29	21	—	—
1	20	46.2	54	51	44	40	33
	30	69.3	33	28	18	—	—
1-1/2	20	46.2	71	69	62	57	51
	30	69.3	52	47	34	30	20

Tested and rated in accordance with Water Systems Council Standards.

NOTE: Pumps installed with a Pro-Source™ tank require a 100 PSI relief valve. Pumps with a conventional tank require a 75 PSI relief valve. Relief valve must be capable of relieving entire flow of pump at relief pressure.

CT35/CT45 series – general purpose centrifugal pumps

outline dimensions



Dimensions (in inches) are for estimating purposes only.

dimensional data

HP	NPT Suct.	NPT Disch.	ECII (1 Phase)	A (3 Phase)	B	C	D	E	F	G	H	NPT J	K
CT35 – HIGH HEAD													
1/2	1-1/4	1	11-21/32	13-3/8	2-1/16	5-9/16	4-1/2	3-7/16	3-7/8	3-15/16	5-5/8	1/4	3/8 Dia.
3/4	1-1/4	1	11-25/32	13-3/8	2-1/16	5-9/16	4-1/2	3-7/16	3-7/8	3-15/16	5-5/8	1/4	3/8 Dia.
1	1-1/4	1	12-25/32	13-7/8	2-1/16	5-9/16	4-1/2	3-7/16	3-7/8	3-15/16	5-5/8	1/4	3/8 Dia.
1-1/2	1-1/4	1	13-39/64	14-3/8	2-1/16	5-9/16	4-1/2	3-7/16	3-7/8	3-15/16	5-5/8	1/4	3/8 Dia.
2	1-1/2	1-1/4	16-3/4	16-15/16	2-13/16	6-5/16	4-27/32	3-13/32	4-5/8	4	6-7/16	1/4	3/8 Dia.
2-1/2	2	1-1/2	17-3/4	17-1/4	2-13/16	6-5/16	4-27/32	3-13/32	4-5/8	4	6-7/16	1/4	3/8 Dia.
CT45 – MEDIUM HEAD													
1/3	1-1/4	1	12-9/16	12-15/16	1-7/16	5-1/8	4-7/16	3-1/4	2-1/4	3-1/4	5-5/8	1/4	3/8 Dia.
1/2	1-1/4	1	11-7/32	12-15/16	1-7/16	5-1/8	4-7/16	3-1/4	2-1/4	3-1/4	5-5/8	1/4	3/8 Dia.
3/4	1-1/4	1	11-31/32	12-15/16	1-7/16	5-1/8	4-7/16	3-1/4	2-1/4	3-1/4	5-5/8	1/4	3/8 Dia.
1	1-1/2	1-1/4	12-11/32	13-7/16	1-7/16	5-1/8	4-7/16	3-1/4	2-1/4	3-1/4	5-5/8	1/4	3/8 Dia.
1-1/2	1-1/2	1-1/4	13-25/32	14-9/16	2	5-3/4	4-13/16	3-1/2	4-1/4	3-15/16	5-5/8	1/4	3/8 Dia.